

DTPM300

Imaging Table

- 2 Tower Lift Design
- 40" Open Space Between Towers
- 23" Longitudinal Travel
- Warranty: 3 years parts, 2 year labor



HEIGHT RANGE



TRENDELENBURG TILT

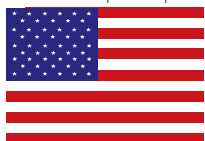


LONGITUDINAL TRAVEL



ISO 13485:2003
FM 584901

made in the USA
with US & imported parts



OAKWORKS[®]
MEDICAL
Position for Success

DTPM300 #61252-T01

FEATURES	
Polycarbonate Top	Rectangular 24" (61cm) wide x 78" (198cm) long
Motion 1	Electric Height Range 24" - 40" (61-102cm)
Motion 2	Electric Trendelenburg tilt +14°
Motion 3	Manual Longitudinal travel 23" (58cm)
Controls	foot control (height) & hand control (height & trendelenburg)
Weight Capacity	450 lb (204kg)
Product Weight	390 lb (177kg)
Included Features	1" (3cm) Radiolucent Comfort Foam™ table top pad, 4" (10cm) locking casters, patient safety straps (2)
Warranty	3 years parts, 2 year labor
Safety Listings	FDA listed, CE marked, cETLus approved, CB Certificate

OPTIONS <i>must be ordered with table.</i>		#
2" (5cm) Table Top Pad upgrade	upgrade from the standard 1" (3cm) pad	55192-T01
5" (13cm) casters	upgrade from the standard 4" (10cm)	65427
Fixed T-Rail	78" long (198cm)	73148
Fixed T-Rail	Custom Length	73135
Non-USA electric system	please contact us for order details	73134

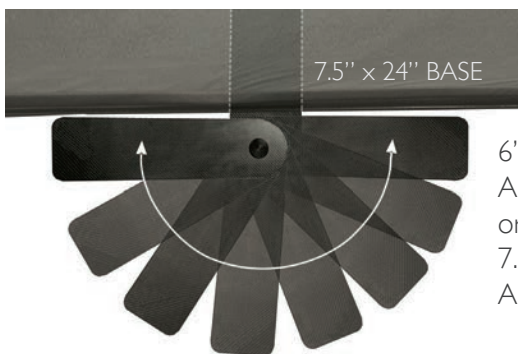
ACCESSORIES <i>order any time.</i>		#
Carbon Fiber Arm Board (6" wide)	180° Articulation	42585
Carbon Fiber Arm Board (7.5" wide)	180° Articulation	70337
Fluoro Extender	Polycarbonate	33975
Spine Positioning System II	8 piece system	70100-T01
Interventional Supine Pillow System	contoured pad and support wedge pad	69808-T01

SINGLE CARBON FIBER ARM BOARD

#42585-T01 - 6" wide #70337-T01 - 7.5" wide

Fully radiolucent with a 180° range of motion, the arm board requires no mounting or attachment hardware and simply slides under the table top pad. It can be used on any fluoroscopy table and will support arms and feet in a variety of positioning configurations. Folds for storage.

- 180° range of motion
- Requires no mounting or attachment hardware, slides under table top pad
- Comes with removable pad
- Folds for safe and compact storage



SPINE POSITIONING SYSTEM II #70100-T01

- **Optimal Imaging**
High radiolucency and flexibility for ideal cervical, thoracic and lumbar visualization.
- **Enhanced Patient Comfort**
Minimize unwanted movement and reduce procedure time.
- **Stable Design**
Large contoured torso pad cradles patient & the strap securely fastens the system to the table.



OPTIONAL CUSTOM LENGTH FIXED T-RAIL #73135

T-rails of any length can be installed anywhere on the table, including both sides. Enquire for price.



CONTACT:

View our full line of
Medical products



Scan this code with your smart phone

#72703



717.235.6807 www.oakworksmed.com email: customerservice@oakworks.com

73527 - REVISED 08.25.15